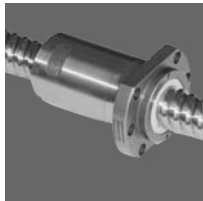


Ground Double Nut

Nominal Diameter 16-20 mm
Precision Ground Execution Grade T0 - T5



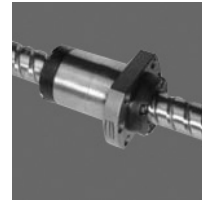
Series 3526:
UltraSpeed nut with
flange, dual start, pitch
offset preload



Series 1516:
DIN Standard Flanged
Nut with UNILOCK
preload



Series 1313:
Cylindrical Nut with
Fitting Keyway with
UNILOCK preload



Series 2526:
End cap Nut with flange,
dual start, pitch offset
preload

Technical Data

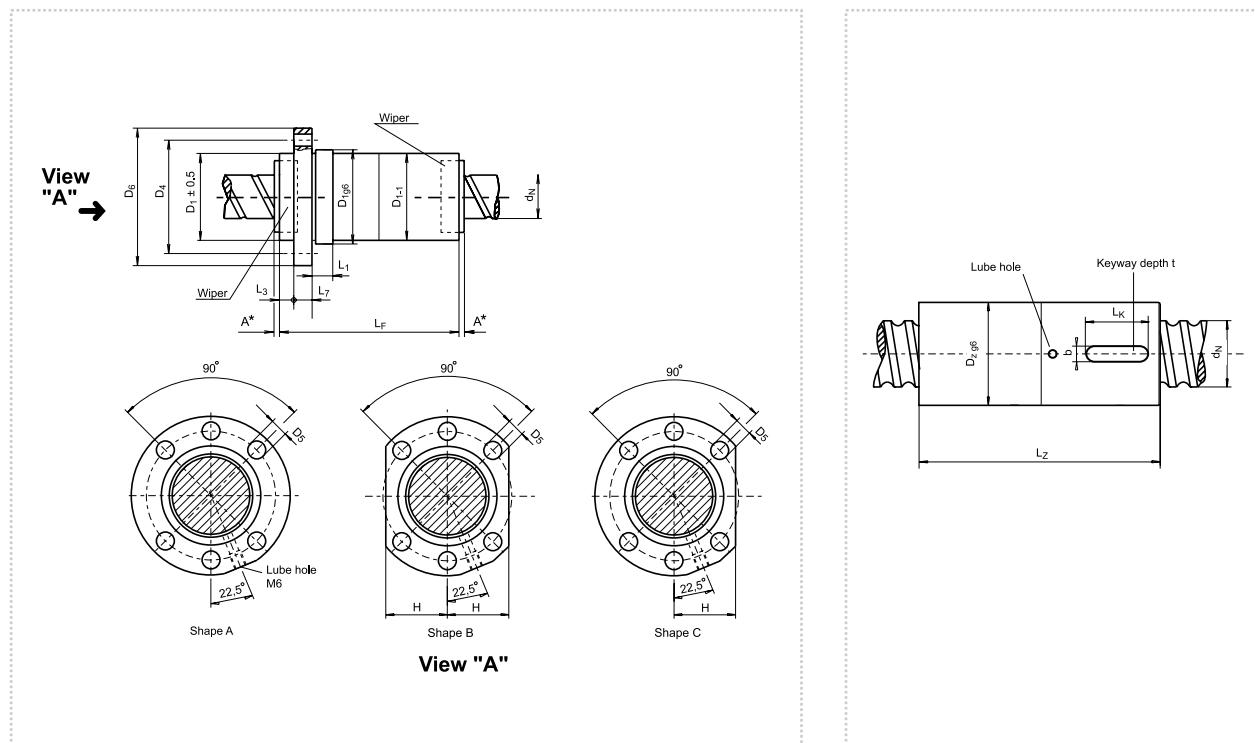
	Nominal diameter d_N	Lead P	No. of circuits i	Ball diameter d_W	dyn. load rating C_a	stat. load rating C_{0a}	Stiffness ● $R_{Nu,ar}$
	[mm]	[mm]		[N]	[kN]	[kN]	[N/μm]
1516/1313	16	2	4	1.5	2.9	4.8	240
	16	2	6	1.5	3.8	6.4	330
	16	4	3	3.0	8.9	11.3	270
	16	4	4	3.0	11.3	15.1	360
	16	5	3	3.5	10.1	11.9	240
	16	5	4	3.5	12.9	15.9	320
2526	16	10	3	3.5	9.9	12.4	240
	16	10	5	3.5	16.5	22.4	390
1516/1313	20	2	3	1.5	3.2	6.1	300
	20	2	4	1.5	4.1	8.1	390
	20	2	5	1.5	5.0	10.1	480
	20	4	3	3.0	10.1	14.8	350
	20	4	4	3.0	13.0	19.7	460
	20	5	3	3.5	12.1	16.6	330
	20	5	4	3.5	15.5	22.1	440
	20	10	2	3.5	8.5	10.9	180
	20	10	3	3.5	12.0	16.4	270
3526	20	20	2	3.5	7.1	12.7	130
	20	20	3	3.5	11.0	19.0	200

N: Alternate Sizes acc. to DIN 69051.

- * If lead > 20 mm then A = 5 mm
- Actual stiffness at preload equal to 0,1 * C_a .

» Ground Double Nut

Nominal Diameter 16-20 mm
Precision Ground Execution Grade T0 - T5



Dimensions

	Flanged nut with wipers both ends								
	L _F	D ₁ g6	L ₁	D ₄	D ₅	D ₆	L ₇	L ₃	H
	[mm]	[mm]	[mm]	[mm]	[mm]	[mm]	[mm]	[mm]	[mm]
1516	62	28	10	38	5.5	48	10	6	20
	70	28	10	38	5.5	48	10	6	20
	73	28	10	38	5.5	48	10	6	20
	81	28	10	38	5.5	48	10	6	20
	84	28	10	38	5.5	48	10	6	20
2526	95	28	10	38	5.5	48	10	5	20
	44	32	12	42	5.5	52	10	6	20
	64	32	16	42	5.5	52	10	6	20
1516	72	36	10	47	6.6	58	10	6	22
	80	36	10	47	6.6	58	10	6	22
	89	36	10	47	6.6	58	10	6	22
	73	36	10	47	6.6	58	10	6	22
	82	36	10	47	6.6	58	10	6	22
	85	36	10	47	6.6	58	10	6	22
	95	36	10	47	6.6	58	10	6	22
	102	36	16	47	6.6	58	10	7	22
3526	126	36	16	47	6.6	58	10	7	22
	75	◆ 36	16	47	6.6	58	10	7	22
	95	◆ 36	16	47	6.6	58	10	7	22

	Cylindrical nut without wipers with fitting keyway				
	L _Z	D _Z g6	b	t	L _K
	[mm]	[mm]	[mm]	[mm]	[mm]
1313	42	28	5	1.9	12
	50	28	5	1.9	16
	46	28	5	1.9	12
	54	28	5	1.9	12
	58	28	5	1.9	16
	68	28	5	1.9	12
1313	46	33	6	2.5	14
	54	33	6	2.5	16
	62	33	6	2.5	16
	46	33	6	2.5	14
	54	33	6	2.5	10
	58	33	6	2.5	16
	68	33	6	2.5	14
	72	33	6	2.5	20
	96	33	6	2.5	25

- With standard wipers. Special execution wipers available.
- ◆ Flange shape B only. Flange shape A or C not available.