

»» Ground Single Nut with Ball Oversize Preload

Nominal Diameter 32 mm

Single Nut with Ball Oversize Preload Precision Ground Execution Grade T0 - T5



Series 3426:

UltraSpeed nut with flange, dual start, ball oversize preload



Series 1416:

DIN Standard Flanged Nut



Series 1213:

Cylindrical Nut with Fitting Keyway

Technical Data

| | Nominal diameter d_N | Lead P | No. of circuits i | Ball diameter d_W | dyn. load rating C_a | stat. load rating C_{0a} | Stiffness ● $R_{nu,ar}$ |
|-----------|---------------------------|-----------|----------------------|------------------------|---------------------------|-------------------------------|----------------------------|
| | [mm] | [mm] | | [N] | [kN] | [kN] | [N/μm] |
| 1416/1213 | 32 | 4 | 3 | 3 | 13.1 | 26.0 | 440 |
| | 32 | 4 | 4 | 3 | 16.8 | 34.7 | 580 |
| | 32 | 5 | 3 | 3.5 | 16.0 | 29.5 | 440 |
| | 32 | 5 | 4 | 3.5 | 20.4 | 39.4 | 570 |
| | 32 | 5 | 5 | 3.5 | 24.8 | 49.2 | 710 |
| | 32 | 5 | 6 | 3.5 | 29.0 | 59.0 | 850 |
| | 32 | 10 | 3 | 6 | 30.8 | 45.1 | 380 |
| | 32 | 10 | 4 | 6 | 39.4 | 60.2 | 500 |
| | 32 | 10 | 5 | 6 | 47.8 | 75.2 | 620 |
| | 32 | 15 | 3 | 6 | 30.5 | 44.8 | 310 |
| 3426 | 32 | 20 | 3 | 6 | 30.2 | 44.5 | 250 |
| | 32 | 20 | 6 | 6 | 57.9 | 108.0 | 530 |
| | 32 | 20 | 8 | 6 | 75.6 | 144.0 | 710 |
| | 32 | 30 | 4 | 6 | 38.1 | 70.3 | 250 |

* If lead > 20 mm then A = 5 mm

● Actual stiffness at preload equal to 0.08 * C_a .

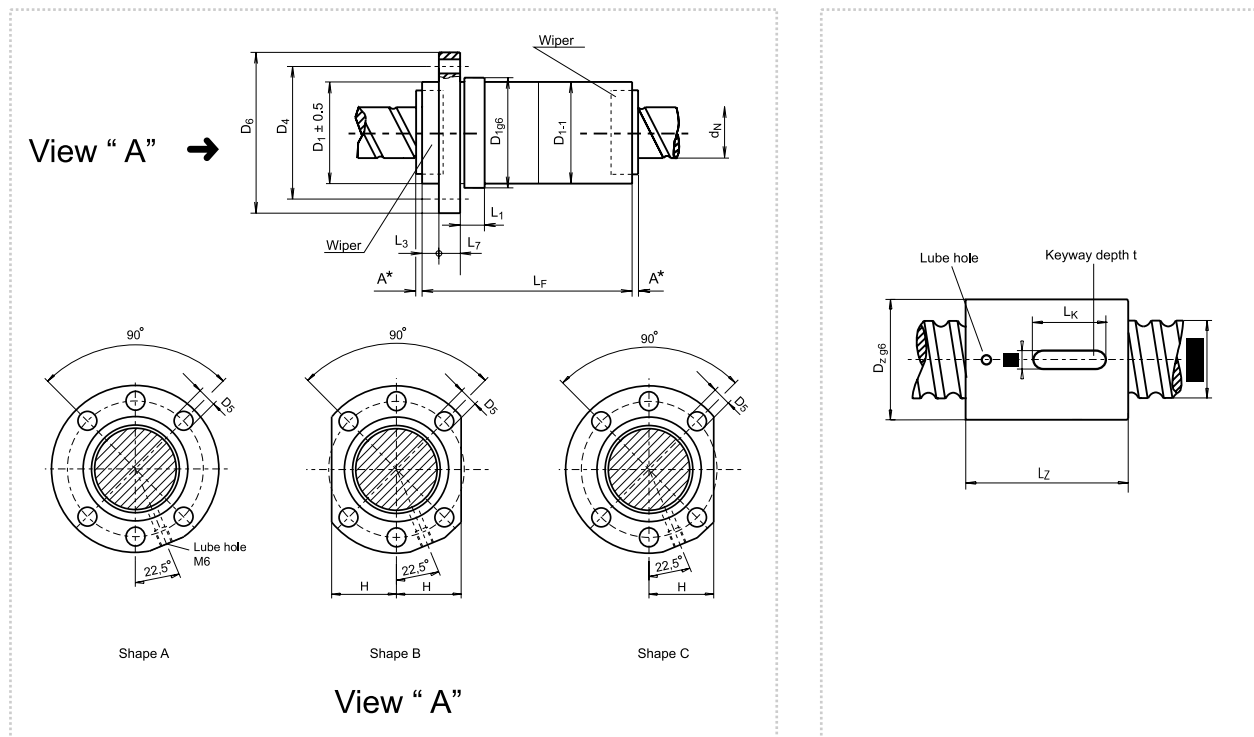
■ With standard wipers. Special execution wipers available.

◆ Flange shape B only. Flange shape A or C not available.

Ground Single Nut with Ball Oversize Preload

Nominal Diameter 32 mm

Single Nut with Ball Oversize Preload Precision Ground Execution Grade T0 - T5



Dimensions

| Flanged nut with wipers both ends | | | | | | | | | |
|-----------------------------------|-------|-------------|-------|-------|-------|-------|-------|-------|------|
| | L_f | D_1 g6 | L_1 | D_4 | D_5 | D_6 | L_7 | L_3 | H |
| [mm] | | | | | | | | | |
| 1416 | 51 | 50 | 10 | 65 | 9 | 80 | 12 | 6 | 31.0 |
| | 55 | 50 | 10 | 65 | 9 | 80 | 12 | 6 | 31.0 |
| | 57 | 50 | 10 | 65 | 9 | 80 | 12 | 6 | 31.0 |
| | 62 | 50 | 10 | 65 | 9 | 80 | 12 | 6 | 31.0 |
| | 67 | 50 | 10 | 65 | 9 | 80 | 12 | 6 | 31.0 |
| | 73 | 50 | 10 | 65 | 9 | 80 | 12 | 6 | 31.0 |
| | 84 | 50 | 16 | 65 | 9 | 80 | 12 | 7 | 31.0 |
| | 95 | 50 | 16 | 65 | 9 | 80 | 12 | 7 | 31.0 |
| | 107 | 50 | 16 | 65 | 9 | 80 | 12 | 7 | 31.0 |
| | 101 | 50 | 16 | 65 | 9 | 80 | 12 | 7 | 31.0 |
| | 122 | 50 | 16 | 65 | 9 | 80 | 12 | 7 | 31.0 |
| 3426 | 103 | 56 | 16 | 71 | 9 | 86 | 12 | 7 | 32.5 |
| | 123 | 56 | 16 | 71 | 9 | 86 | 12 | 7 | 32.5 |
| | 95 | 56 | 16 | 71 | 9 | 86 | 12 | 7 | 32.5 |

| Cylindrical nut without wipers with fitting keyway | | | | | |
|---|-------------|-------|-----|-----|-------|
| | L_z g6 | D_z | b | t | L_k |
| 1213 | 23 | 48 | 6 | 2.5 | 14 |
| | 27 | 48 | 6 | 2.5 | 16 |
| | 29 | 48 | 6 | 2.5 | 16 |
| | 34 | 48 | 6 | 2.5 | 20 |
| | 40 | 48 | 6 | 2.5 | 25 |
| | 48 | 48 | 6 | 2.5 | 32 |
| | 56 | 50 | 8 | 3.1 | 36 |
| | 66 | 50 | 8 | 3.1 | 32 |
| | 77 | 50 | 8 | 3.1 | 32 |
| | 72 | 50 | 8 | 3.1 | 45 |
| | 95 | 50 | 8 | 3.1 | 45 |

- * If lead > 20 mm then A = 5 mm
- Actual stiffness at preload equal to 0.08 * Ca.
- With standard wipers. Special execution wipers available.
- ◆ Flange shape B only. Flange shape A or C not available.